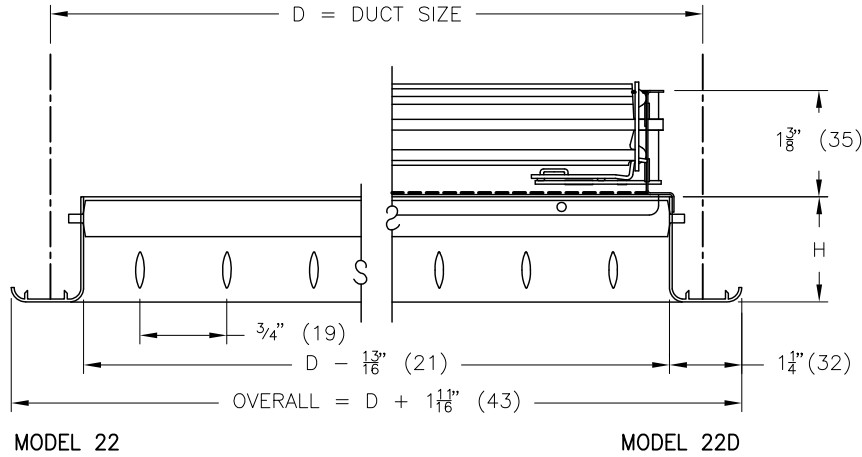
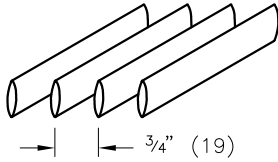


21, 22 SUPPLY GRILLES & REGISTERS

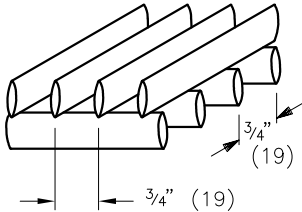


CORE STYLES:

21 SINGLE DEFLECTION

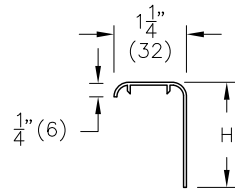


22 DOUBLE DEFLECTION



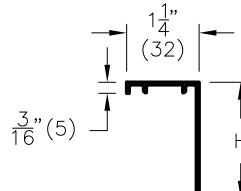
BORDERS:

C CURVED FACE



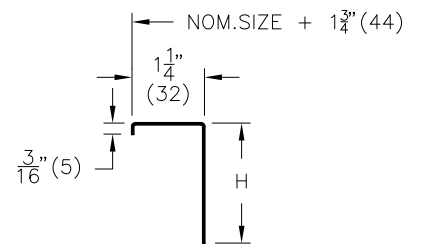
- H=1 5/16" (33) STYLE 21
- H=1 13/16" (46) STYLE 22

F FLAT FACE



- H=1 1/4" (32) STYLE 21
- H=2" (51) STYLE 22

SF - STEEL FRAME



- H=1 5/16" (33) STYLE 21
- H=2 1/16" (52) STYLE 22

NOTES:

- STANDARD CONSTRUCTION WITH A MULLION: A MULLION IS PROVIDED WHEN NOMINAL SIZE GRILLE DIMENSIONS EXCEED 20" (508).
- LOUVER BLADES - INDIVIDUALLY ADJUSTABLE.
- TYPE A FASTENING - COUNTERSUNK SCREW HOLES FOR NO.8 S.M.S. PER FACTORY STANDARD. (SCREWS SUPPLIED)
- TYPE H FASTENING - FOR ED APPLICATION PILOT HOLE FOR PAN HEAD SMS. SCREW FACTORY STANDARD (SCREWS SUPPLIED).
- AVAILABLE SIZE:
 - MINIMUM - 6" X 4" (152x102)
 - MAXIMUM - 36" X 96" (914x2438)
 - MAXIMUM - 48 X 48 (1219x1219) WITH SF FRAME
- OVERSIZED UNITS AVAILABLE c/w DUCT MOUNTING CHANNEL.
- BLADE ORIENTATION - FRONT SET
 - L = PARALLEL TO LONG DIMENSION.
 - S = PARALLEL TO SHORT DIMENSION.

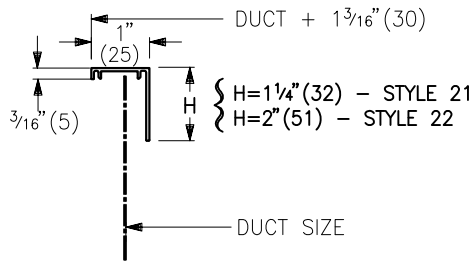
ALL METRIC DIMENSIONS () ARE SOFT CONVERTED. IMPERIAL DIMENSIONS ARE CONVERTED TO METRIC AND ROUNDED TO THE NEAREST MILLIMETER.

PROJECT:		PRICE®	
ENGINEER:		<i>MG</i>	21, 22 ALUMINUM SUPPLY GRILLES & REGISTERS
CUSTOMER:			
SUBMITTAL DATE:	SPEC. SYMBOL:	2015/10/29	

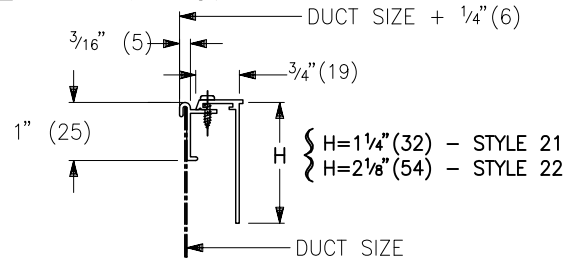
21, 22 SERIES MOUNTING OPTIONS AND BORDERS

BORDERS

N - NARROW MARGIN



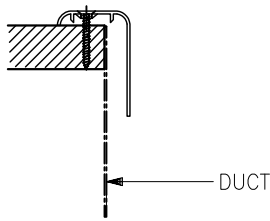
ED EXPOSED DUCT



ED APPLICATION IS SUPPLIED COMPLETE WITH BORDER AND DUCT MOUNTING FRAME
• AVAILABLE WITH TYPE H OR TYPE C FASTENING

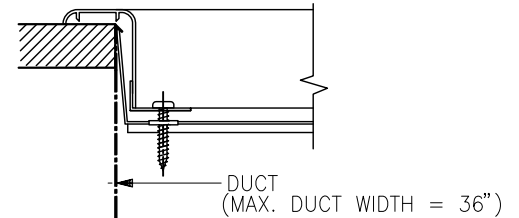
FASTENING

A - COUNTER SUNK SCREW
C BORDER ILLUSTRATED

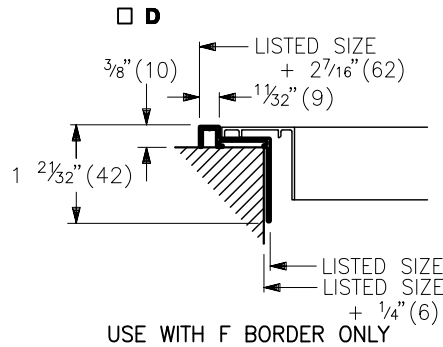


H-STRAIGHT SCREW HOLES (FOR ED FRAME ONLY)

C - CONCEALED BRACKET
C BORDER ILLUSTRATED



MOUNTING FRAMES



ALL METRIC DIMENSIONS () ARE SOFT CONVERTED. IMPERIAL DIMENSIONS ARE CONVERTED TO METRIC AND ROUNDED TO THE NEAREST MILLIMETER.

PROJECT:



ENGINEER:

MG

21,22 SERIES

CUSTOMER:

222000

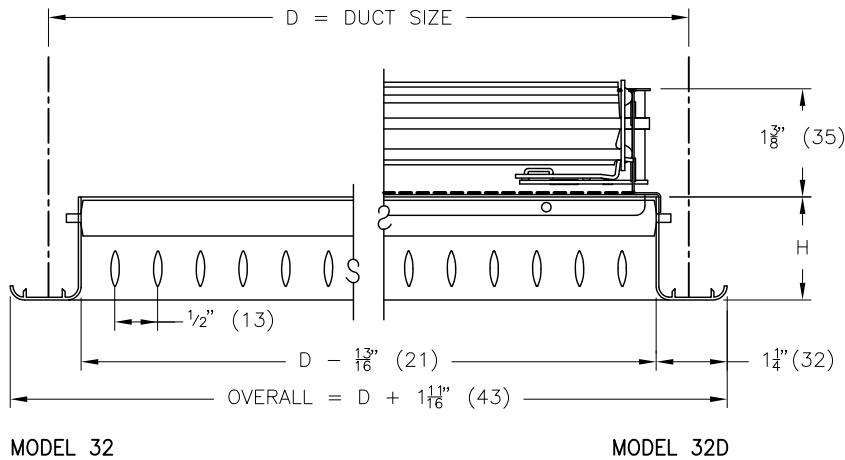
MOUNTING OPTIONS
AND BORDERS

SUBMITTAL DATE:

SPEC. SYMBOL:

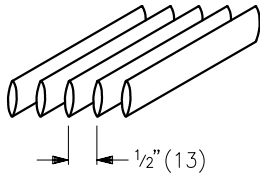
2015/10/29

31,32 SUPPLY GRILLES & REGISTERS

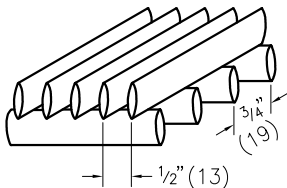


CORE STYLES:

31 SINGLE DEFLECTION

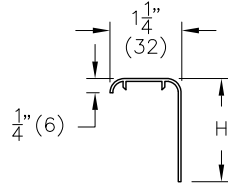


32 DOUBLE DEFLECTION

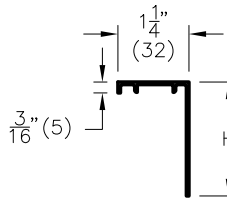


BORDERS:

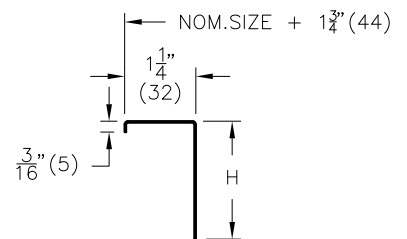
C CURVED FACE



F FLAT FACE



SF - STEEL FRAME



- H=1⁵/₁₆" (33) - STYLE 31
- H=1¹³/₁₆" (46) - STYLE 32

- H=1¹/₄" (32) - STYLE 31
- H=2" (51) - STYLE 32

- H=1⁵/₁₆" (33) STYLE 31
- H=2¹/₁₆" (52) STYLE 32

NOTES:

- STANDARD CONSTRUCTION WITH A MULLION: A MULLION IS PROVIDED WHEN NOMINAL SIZE GRILLE DIMENSIONS EXCEED 20" (508).
- LOUVER BLADES - INDIVIDUALLY ADJUSTABLE.
- TYPE A FASTENING - COUNTERSUNK SCREW HOLES FOR NO.8 S.M.S. PER FACTORY STANDARD. (SCREWS SUPPLIED)
- TYPE H FASTENING-FOR ED APPLICATION PILOT HOLE FOR PAN HEAD SMS. SCREW FACTORY STANDARD (SCREWS SUPPLIED).
- AVAILABLE SIZES:
MINIMUM - 6" X 4" (152x102)
MAXIMUM - 36" X 96" (914x2438)
MAXIMUM - 48" X 48" (1219x1219) WITH SF FRAME
- OVERSIZED UNITS AVAILABLE c/w DUCT MOUNTING CHANNEL.
- BLADE ORIENTATION - FRONT SET
- L = PARALLEL TO LONG DIMENSION.
- S = PARALLEL TO SHORT DIMENSION.

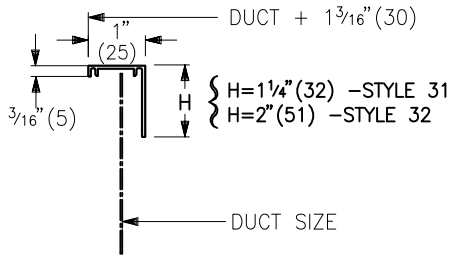
ALL METRIC DIMENSIONS () ARE SOFT CONVERTED. IMPERIAL DIMENSIONS ARE CONVERTED TO METRIC AND ROUNDED TO THE NEAREST MILLIMETER.

PROJECT:		PRICE [®]	
ENGINEER:		<i>MG</i>	31, 32 ALUMINUM SUPPLY GRILLES & REGISTERS
CUSTOMER:		222001	
SUBMITTAL DATE:	SPEC. SYMBOL:	2015/10/29	

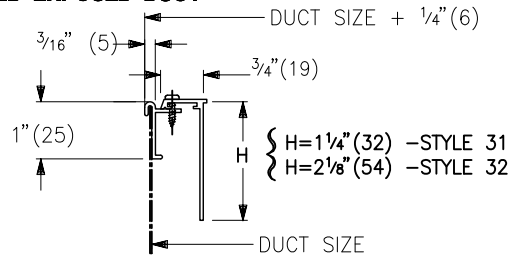
31,32 SERIES MOUNTING OPTIONS AND BORDERS

BORDERS

N - NARROW MARGIN



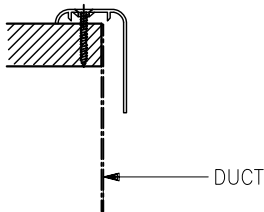
ED EXPOSED DUCT



ED APPLICATION IS SUPPLIED COMPLETE WITH BORDER AND DUCT MOUNTING FRAME
 • AVAILABLE WITH TYPE H OR TYPE C FASTENING

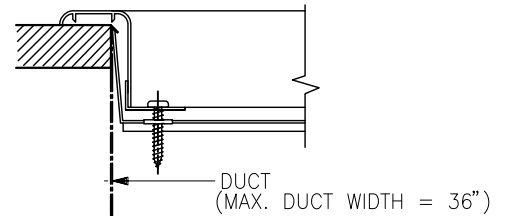
FASTENING

A - COUNTER SUNK SCREW
C BORDER ILLUSTRATED

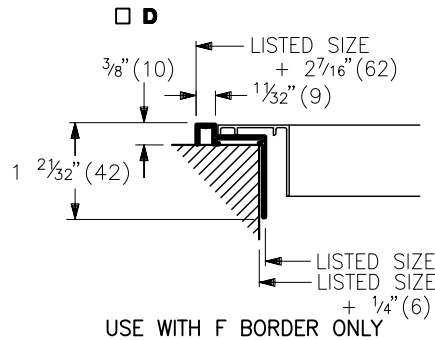


H-STRAIGHT SCREW HOLES (FOR ED FRAME ONLY)

C - CONCEALED BRACKET
C BORDER ILLUSTRATED



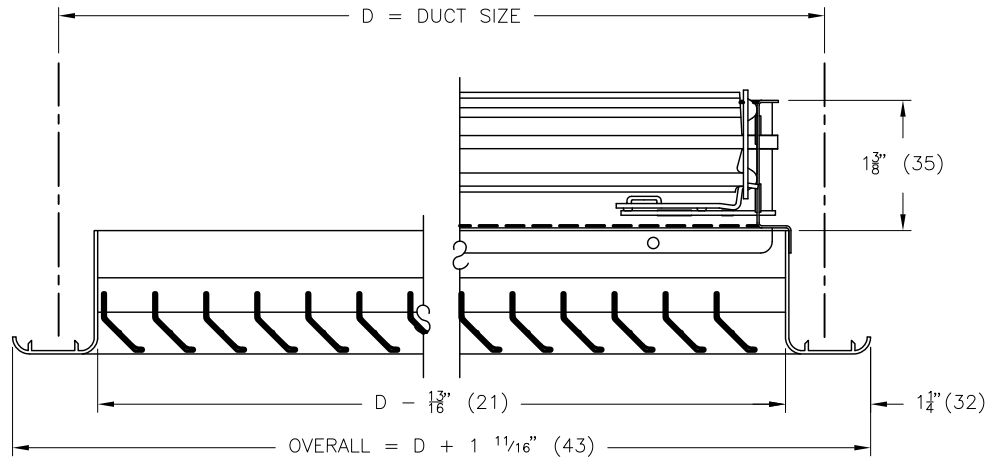
MOUNTING FRAMES



ALL METRIC DIMENSIONS () ARE SOFT CONVERTED. IMPERIAL DIMENSIONS ARE CONVERTED TO METRIC AND ROUNDED TO THE NEAREST MILLIMETER.

PROJECT:		PRICE [®]	
ENGINEER:		<i>mg</i>	31, 32 SERIES MOUNTING OPTIONS AND BORDERS
CUSTOMER:		222001	
SUBMITTAL DATE:	SPEC. SYMBOL:	2015/10/29	

60,70 SERIES RETURN AIR GRILLES & REGISTERS

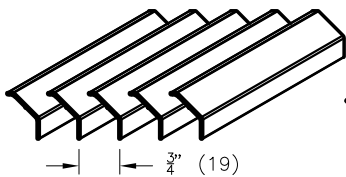


MODEL 60

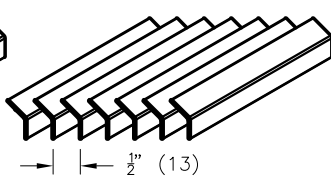
MODEL 60D

-CORE STYLES-

60

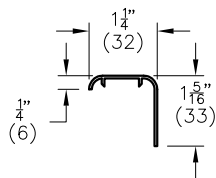


70

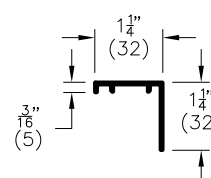


-BORDERS-

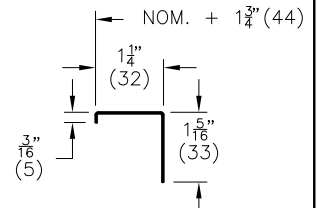
C CURVED FACE



F FLAT FACE



SF STEEL FRAME



FINISH:

- B12 WHITE (OPTIONAL FINISHES AVAILABLE)

OPTIONS:

- FOR OPTIONAL MOUNTING OR BORDERS REFER TO SHEET 2.
- C/W COATED STEEL OPPOSED BLADE DAMPER (SPECIFY 60D OR 70D).
- C/W ALUMINUM OPPOSED BLADE DAMPER MILL FINISH (SPECIFY 60DAL OR 70DAL).

MATERIAL:

- ALUMINUM CONSTRUCTION

NOTES:

- TYPE A FASTENING—COUNTERSUNK SCREW HOLES FOR NO.8 S.M.S. PER FACTORY STANDARD (SCREWS SUPPLIED).
- TYPE H FASTENING—FOR ED APPLICATION PILOT HOLE FOR PAN HEAD SMS. SCREW FACTORY STANDARD (SCREW SUPPLIED)
- AVAILABLE SIZES:
MIN. 6" x 4" (152x102)
MAX. 36" x 96" (914x2438)
MAX. 48" x 48" (1219x1219) WITH SF FRAME
- OVERSIZED UNITS AVAILABLE c/w DUCT MOUNTING CHANNEL.
- BLADE ORIENTATION:
- L = PARALLEL TO LONG DIMENSION.
- S = PARALLEL TO SHORT DIMENSION.

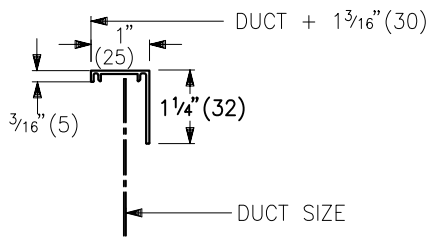
ALL METRIC DIMENSIONS () ARE SOFT CONVERTED. IMPERIAL DIMENSIONS ARE CONVERTED TO METRIC AND ROUNDED TO THE NEAREST MILLIMETER.

PROJECT:		PRICE®	
ENGINEER:		<i>MJ</i> 203509	60,70 SERIES RETURN AIR GRILLES
CUSTOMER:			
SUBMITTAL DATE:	SPEC. SYMBOL:	2015/05/22	

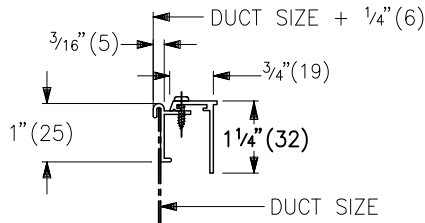
60,70 SERIES MOUNTING OPTIONS AND BORDERS

BORDERS

N - NARROW MARGIN

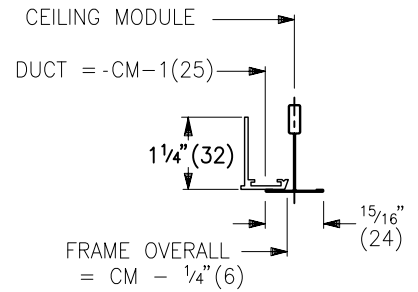


ED EXPOSED DUCT



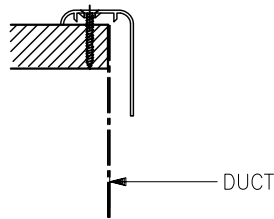
ED APPLICATION IS SUPPLIED COMPLETE WITH BORDER AND DUCT MOUNTING FRAME
 • AVAILABLE WITH TYPE H OR TYPE C FASTENING

TB LAYIN T-BAR



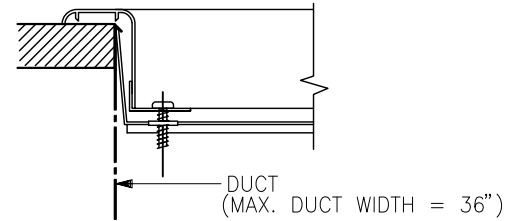
FASTENING

A - COUNTER SUNK SCREW
C BORDER ILLUSTRATED



H-STRAIGHT SCREW HOLES (FOR ED FRAME ONLY)

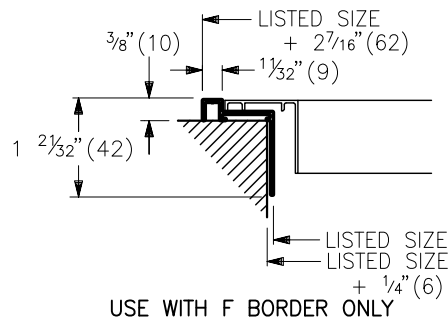
C - CONCEALED BRACKET
C BORDER ILLUSTRATED



NOT AVAILABLE WITH MODEL 70 RETURN GRILLE

MOUNTING FRAMES

D



USE WITH F BORDER ONLY

ALL METRIC DIMENSIONS () ARE SOFT CONVERTED. IMPERIAL DIMENSIONS ARE CONVERTED TO METRIC AND ROUNDED TO THE NEAREST MILLIMETER.

PROJECT:



ENGINEER:

Signature

60,70 SERIES

CUSTOMER:

203509

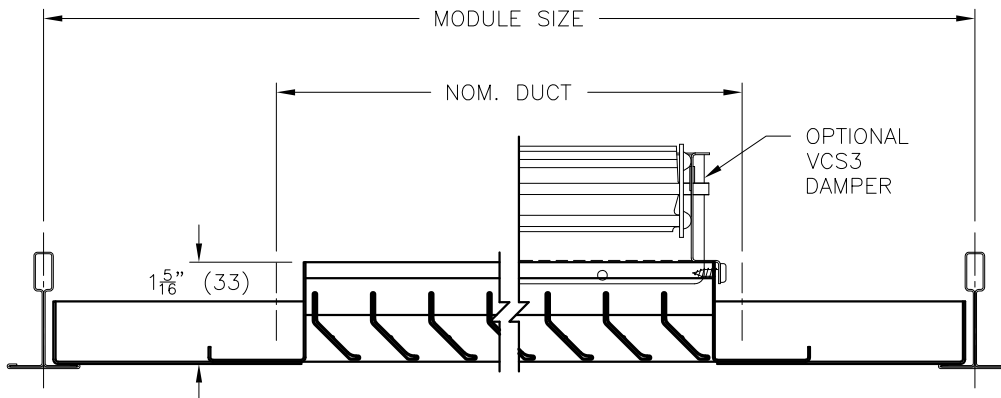
MOUNTING OPTIONS AND BORDERS

SUBMITTAL DATE:

SPEC. SYMBOL:

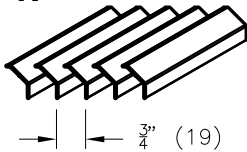
2015/05/22

PANEL MOUNTED 60 & 70 SERIES RETURN AIR GRILLES

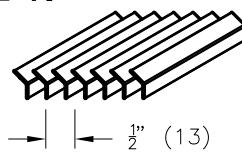


CORE STYLES:

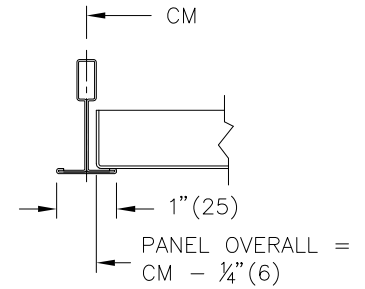
60



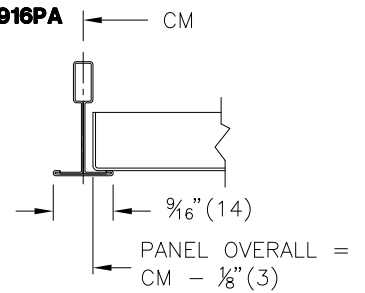
70



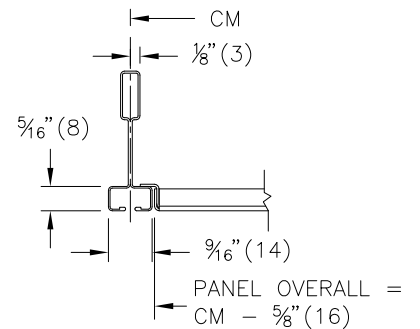
3P T-BAR
 3PA



916P T-BAR
 916PA



17P FINELINE T-BAR
 17PA



MATERIAL:

- BLADES: ALUMINUM CONSTRUCTION
- FRAME: STEEL CONSTRUCTION
- PANEL: STEEL CONSTRUCTION (3P, 916P & 17P)
 ALUMINUM CONSTRUCTION (3PA, 916PA & 17PA)

FINISH:

- FINISH OF PANEL TO MATCH GRILLE FINISH
- B12 WHITE
 (OPTIONAL FINISHES AVAILABLE)


NOTES:

- MAXIMUM NOMINAL GRILLE SIZE = MODULE SIZE - 4" (102)
- MODULE SIZE AND NOM. GRILLE SIZE MUST BE SPECIFIED
- NOMINAL MODULE SIZES:
 12" x 12" - 300mm x 300mm
 24" x 12" - 600mm x 300mm
 24" x 24" - 600mm x 600mm
 48" x 24" - 1200mm x 600mm
- FACTORY TOLERANCE ± 1/32" (± 1)

OPTION:

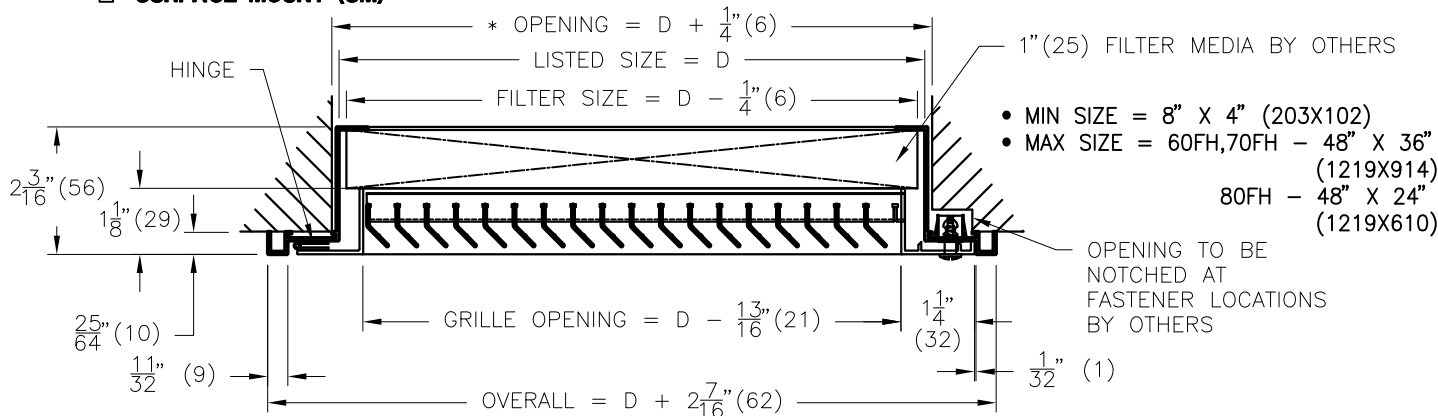
- 60DAL OR 70DAL c/w ALUMINUM OPPOSED BLADE DAMPER MILL FINISH
- 60D OR 70D c/w COATED STEEL OPPOSED BLADE DAMPER

ALL METRIC DIMENSIONS () ARE SOFT CONVERTED. IMPERIAL DIMENSIONS ARE CONVERTED TO METRIC AND ROUNDED TO THE NEAREST MILLIMETER.

PROJECT:		PRICE [®]	
ENGINEER:		 222063	60, 70 PANEL MOUNTED STYLES 3P & 916P RETURN AIR GRILLES
CUSTOMER:			
SUBMITTAL DATE:	SPEC. SYMBOL:	OCT 2012	

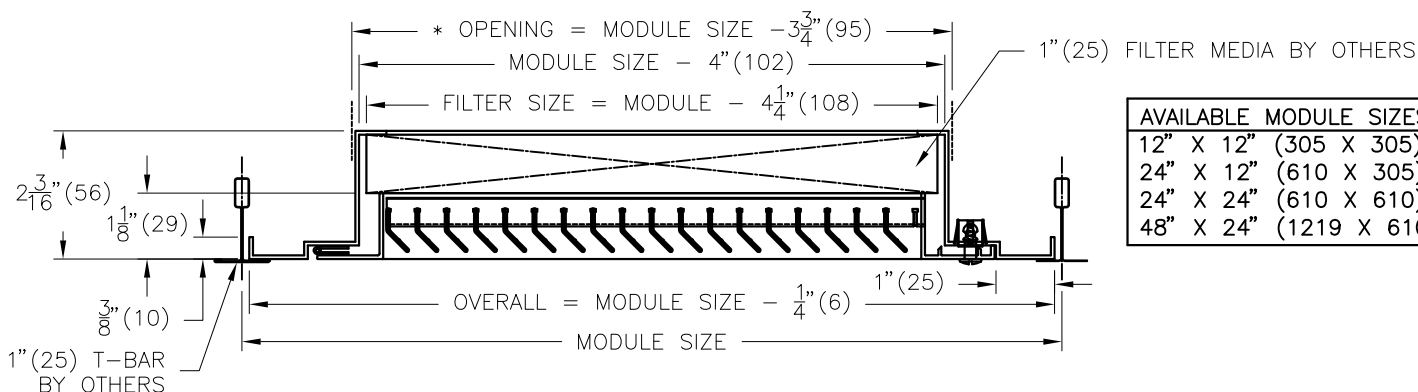
60FH, 70FH, 80FH ALUMINUM FACE FILTER RETURN

□ SURFACE MOUNT (SM)



- MIN SIZE = 8" X 4" (203X102)
- MAX SIZE = 60FH,70FH - 48" X 36" (1219X914)
- 80FH - 48" X 24" (1219X610)

□ T-BAR MOUNT (TB)

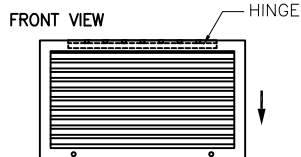


AVAILABLE MODULE SIZES:	
12" X 12"	(305 X 305)
24" X 12"	(610 X 305)
24" X 24"	(610 X 610)
48" X 24"	(1219 X 610)

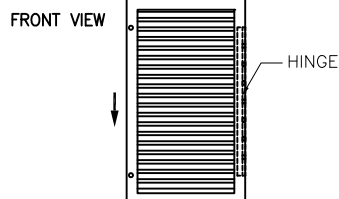
HINGE ORIENTATION

- 80FH - HINGE IS PARALLEL TO LONG DIMENSION (HL)
- 60FH AND 70FH - BLADE DEFLECTION IS SHOWN BY ARROW

□ 60FH/70FH TYPE L

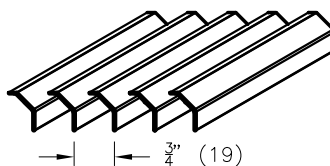


□ 60FH/70FH TYPE S

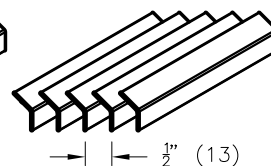


CORE STYLES:

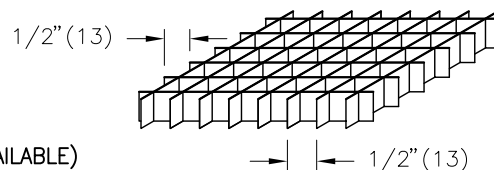
□ 60FH



□ 70FH



□ 80FH



NOTES:

- ACCEPTS STANDARD 1" (25) FILTER MEDIA
- 1/4 TURN QUICK-RELEASE FASTENERS
- CONTINUOUS ALUMINUM HINGE SUPPLIED ON UNITS UP TO 36" X 24" (914X610) DUCT SIZE.
- SIZES LARGER THAN 36" X 24" (914X610) DUCT SIZE WILL BE SUPPLIED WITH QUICK-RELEASE FASTENERS ON BOTH SIDES.
- FILTER MEDIA SUPPLIED BY OTHERS


FINISH:

- B12 WHITE (OPTIONAL FINISHES AVAILABLE)

MATERIAL:

- ALUMINUM CONSTRUCTION

ALL METRIC DIMENSIONS () ARE SOFT CONVERTED. IMPERIAL DIMENSIONS ARE CONVERTED TO METRIC AND ROUNDED TO THE NEAREST MILLIMETER.

PROJECT:		 60FH, 70FH, 80FH SERIES ALUMINUM FACE FILTER RETURN
ENGINEER:		
CUSTOMER:		
SUBMITTAL DATE:	SPEC. SYMBOL:	